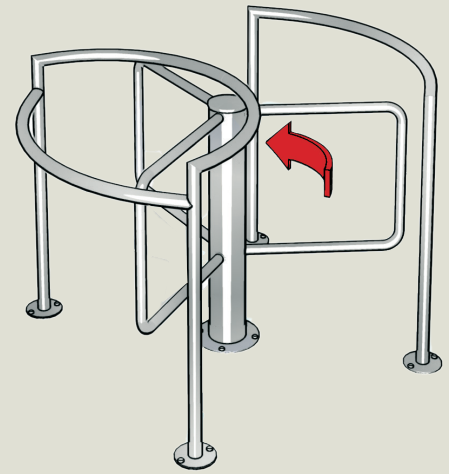


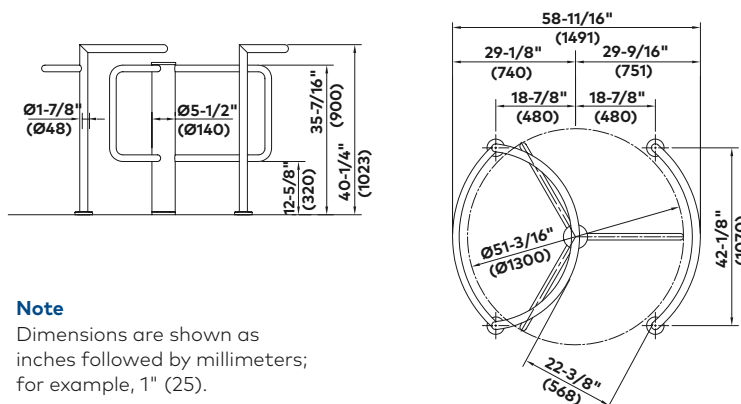
# HTS-E01

## Waist height turnstiles

Standard units	HTS-E01
Construction	
Material	AISI 304 stainless steel.
Side barrier elements	Made of AISI 304 stainless steel tubing $\varnothing 1\text{-}7/8"$ ( $\varnothing 48$ mm), mitered.
Rotating units	With tubular column $\varnothing 5\text{-}1/2"$ ( $\varnothing 140$ mm) made of AISI 304 stainless steel.  With three U-shaped barrier elements made of AISI 304 stainless steel tubing $\varnothing 1\text{-}9/16"$ ( $\varnothing 40$ mm).  Locking system, drive and toothed clutch installed in tubular column.
Finish	Stainless steel satin finish.
Function	Power assist; servo-positioning drive/electrically controlled in 2 directions.  Passage side can be selected - inwards right or inwards left.
Electrical equipment	Control unit in external switch cabinet: H $11\text{-}1/8"$ x W $6\text{-}5/8"$ x D $4\text{-}1/2"$ (H 283 mm x W 168 mm x D 115 mm).
Power supply	110 – 230 VAC, 50/60 Hz, 253 VA.  In case of power failure both directions free
Standby power consumption	15 VA.
Installation	Finished floor.  Suitable for outdoor installation.
Protection classes	Housing IP43, components conducting supply voltage IP54.



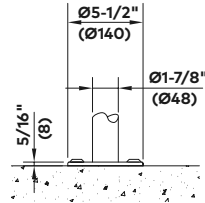
### HTS-E01 elevation drawings



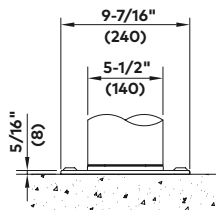
# HTS-E01

## Installation examples

### Guiding elements



### Column



## Options

### Function

Barrier elements with glass panel.

### Electrical equipment

Installation preparation with adapter or mounting plate.

Consoles with adapter made of plastic or aluminium (also available in stainless steel for an additional charge).

Operating panels and frames or surface mount housing.

optional